



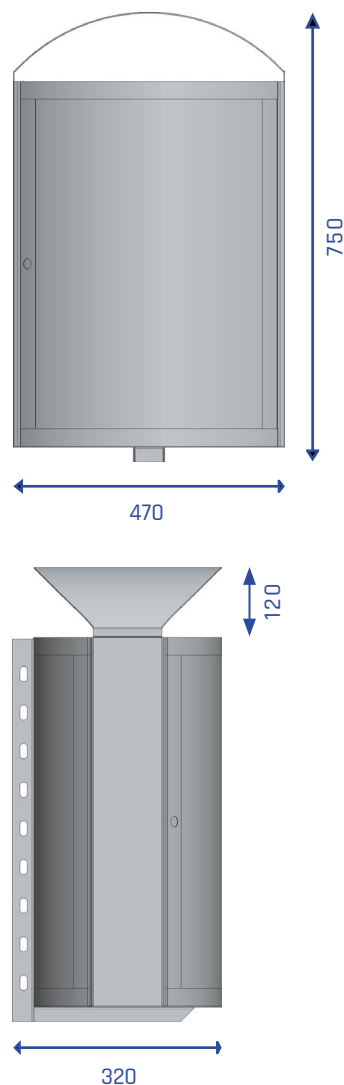
CAPITAL

Hanging bin with information area 61131

Volume	50 Liter
Compartments	1
Casing material	1.4301 (AISI 304) stainless steel, brushed
Casing material thickness	2,0 mm 2,0 mm (cover)
Inner liner material	galvanized steel leakproof
Information area	polyethylene sheet (1 mm) transparent, DIN A2
Width	470 mm
Depth	320 mm
Height	750 mm
Weight	27,0 kg
Slot size	260 x 120 mm
Accessories / Options	see FEATURES

CAPITAL

Hanging bin with information area 61131



Description: Self-supporting, curved stainless steel outer walls, connected to stable flat side panels. Curved door with recessed lock (a key is supplied with each container). The door retention profile prevents the hinges from overstretching. A curved cover is firmly connected to the structure. The shape of the cover results in reduced height from two sides. A sturdy insertion ring guides waste into the inner liner. A U-shaped profile on the back and underneath, for universal attachment to round and square posts, increases stability.

Safety: The curved cover serves as rain protection without providing a storage area. At the same time, the opening is reduced, which minimizes the disposal of household refuse bags. Snap locks protect the bins against unauthorized access.

Handling: Use the square key to operate (1/4 turn) the embedded snap lock and open the door. Pull out / lift out inner liner. The contents are now visible and the waste bag can be replaced as required. The snap lock allows the door to be closed and locked without a key.

Cleaning: The brushed stainless steel surface makes the boxes easy to clean and maintain. Commercial care products for stainless steel grade 1.4301 are sufficient.

Handling of the information area: Use an Allen wrench to loosen the screws on the frame. The content of the frame can now be changed.