



CAPITAL

Floor-standing bin 60832

Volume	120 Liter
Compartments	1
Casing material	1.4301 (AISI 304) stainless steel, brushed
Casing material thickness	1,5 - 2,0 mm 2,0 mm (cover) 1,5 mm (back)
Bag holder material	stainless steel
Drip tray material	galvanized steel
Width	470 mm
Depth	400 mm
Height	970 mm
Weight	34,0 kg
Slot size	260 x 120 mm
Accessories / Options	see FEATURES

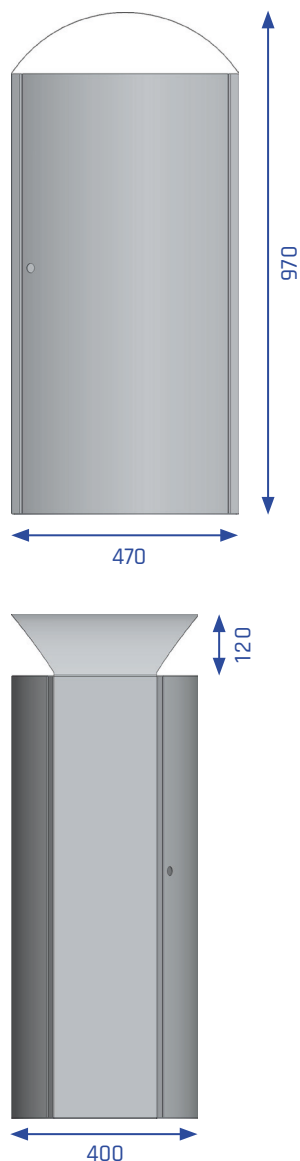
AUWEKO GmbH · Dornhofstraße 34 · 63263 Neu-Isenburg
Telefon: +49 6102 37537-0 · Fax: +49 6102 37537-100 · Email: vertrieb@auweko.de · Website: www.auweko.de

Copyright declaration:

All sketches, drawings and electronic information are the property of AUWEKO GmbH in Neu-Isenburg. The use of these documents, hard copies or information is permitted for internal purposes only. Forwarding to third parties is not authorised. Subject to technical alteration. © AUWEKO GmbH, 63263 Neu-Isenburg

CAPITAL

Floor-standing bin 60832



Description: Self-supporting, curved stainless steel outer walls, connected to stable flat side panels. Curved door with recessed lock (a key is supplied with each container). The door retention profile prevents the hinges from overstretching. A curved cover is firmly connected to the structure. The shape of the cover results in reduced height from two sides. A sturdy insertion ring guides waste into the waste bag.

Safety: The curved cover serves as rain protection without providing a storage area. At the same time, the opening is reduced, which minimizes the disposal of household refuse bags. Snap locks protect the bins against unauthorized access.

Handling: Use the square key to operate (1/4 turn) the embedded snap lock and open the door. Remove the bag from the bag holder. The contents are now visible and the waste bag can be replaced as required. The snap lock allows the door to be closed and locked without a key.

Cleaning: The brushed stainless steel surface makes the boxes easy to clean and maintain. Commercial care products for stainless steel grade 1.4301 are sufficient.