



ORIGINAL

Recycling bin RS1-RS3

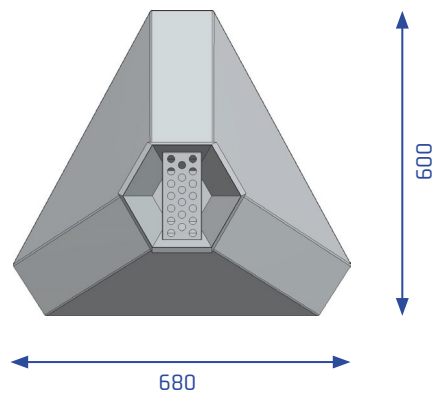
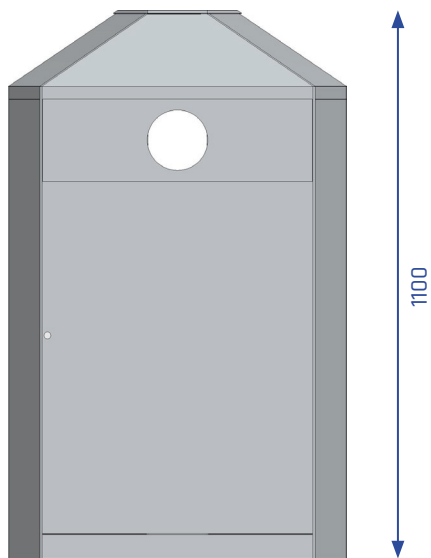
Volume	80 or 30 / 30 / 30 Liter
Compartments	1 or 3
Casing material	1.4301 (AISI 304) stainless steel, brushed
Casing material thickness	1,5 mm
Inner liner material	galvanized steel
Width	680 mm
Depth	600 mm
Height	1100 mm
Weight	55,0 / 45,0 kg
Slot size	see FEATURES
Accessories / Options	see FEATURES

Copyright declaration:

All sketches, drawings and electronic information are the property of AUWEKO GmbH in Neu-Isenburg. The use of these documents, hard copies or information is permitted for internal purposes only. Forwarding to third parties is not authorised. Subject to technical alteration. © AUWEKO GmbH, 63263 Neu-Isenburg

ORIGINAL

Recycling bin RS1-RS3



Description: Well visible outer walls made of stainless steel. Front openings, suitable for unprotected/ outdoor areas. An integrated, theft-proof ashtray or flat cover on the top is a standard equipment.

Safety: The ashtray/cover is secured by a snap mechanism.

Handling: The galvanized inner liners swing out wide when the doors are opened. For the 80 L version the inner liner is simply pulled out forward. The waste bags can now easily be changed. The snap lock allows the door to be closed and locked without a key.

AUWEKO GmbH • Dornhofstraße 34 • 63263 Neu-Isenburg

Telefon: +49 6102 37537-0 • Fax: +49 6102 37537-100 • Email: vertrieb@auweko.de • Website: www.auweko.de

Copyright declaration:

All sketches, drawings and electronic information are the property of AUWEKO GmbH in Neu-Isenburg. The use of these documents, hard copies or information is permitted for internal purposes only. Forwarding to third parties is not authorised. Subject to technical alteration. © AUWEKO GmbH, 63263 Neu-Isenburg