



## ORIGINAL

### Recycling bin BS4

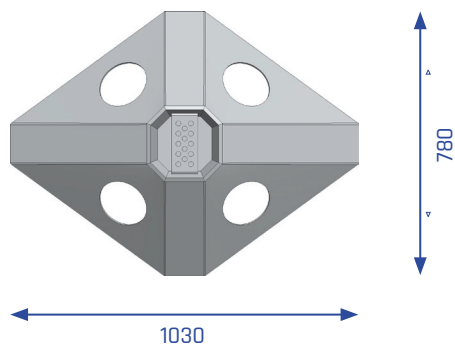
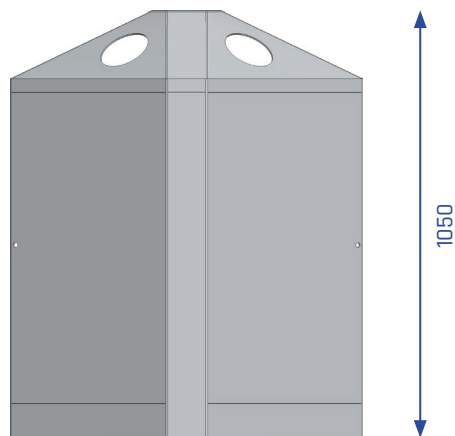
Volumen	50 / 50 / 50 / 50 Liter
Compartments	4
Casing material	1.4301 (AISI 304) stainless steel, brushed
Casing material thickness	1,5 mm
Inner liner material	galvanized steel
Width	1030 mm
Depth	780 mm
Height	1050 mm
Weight	66,6 kg
Slot size	see FEATURES
Accessories / Options	see FEATURES

**Copyright declaration:**

All sketches, drawings and electronic information are the property of AUWEKO GmbH in Neu-Isenburg. The use of these documents, hard copies or information is permitted for internal purposes only. Forwarding to third parties is not authorised. Subject to technical alteration. © AUWEKO GmbH, 63263 Neu-Isenburg

# ORIGINAL

## Recycling bin BS4



**Description:** Well visible outer walls made of stainless steel. Upward facing openings, designed for covered areas. An integrated, theft-proof ashtray or flat cover on the top is a standard equipment.

**Safety:** The ashtray/cover is secured by a snap mechanism.

**Handling:** The galvanized inner liners swing out wide when the doors are opened. The waste bags can now easily be changed. The snap lock allows the door to be closed and locked without a key.