



ORIGINAL

Recycling bin with Information panels B1/B3

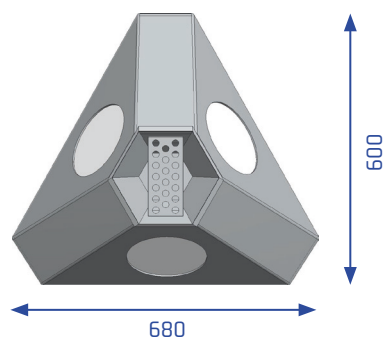
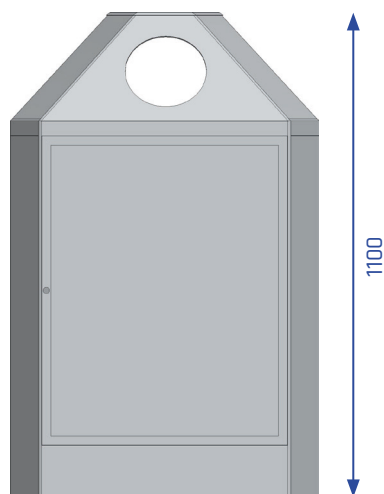
Volume	80 or 30 / 30 / 30 Liter
Compartments	1 or 3
Casing material	1.4301 (AISI 304) stainless steel, brushed
Casing material thickness	1,5 mm
Inner liner material	galvanized steel
Information panel	polyethylene sheet (1 mm) transparent 519 x 683 mm
Width	680 mm
Depth	600 mm
Height	1100 mm
Weight	approx. 55,0 / 45,0 kg
Slot size	see FEATURES
Accessories / Options	see FEATURES

Copyright declaration:

All sketches, drawings and electronic information are the property of AUWEKO GmbH in Neu-Isenburg. The use of these documents, hard copies or information is permitted for internal purposes only. Forwarding to third parties is not authorised. Subject to technical alteration. © AUWEKO GmbH, 63263 Neu-Isenburg

ORIGINAL

Recycling bin with Information panels B1/B3



Description: Well visible outer walls made of stainless steel. Upward facing openings, designed for covered areas. All doors contain transparent plastic panels for individual design or the option to use and them as advertising space. An integrated, theft-proof ashtray or flat cover on the top is a standard equipment.

Safety: The ashtray/cover is secured by a snap mechanism.

Handling: The galvanized inner liners swing out wide when the doors are opened. For the 80 L version the inner liner is simply pulled out forward. The waste bags can now easily be changed. The snap lock allows the door to be closed and locked without a key.

Handling of the information panels: Open the door and unscrew the Phillips screws in the upper frame on the lock side. The frame can now be opened and posters can be exchanged.