



KENDO

Floor-standing bin 65211

Volume	60 Liter
Compartments	1
Casing material	galvanized steel powder-coated in DB702 incl. >Wipe, and it's gone<
Casing material thickness	2,0-3,0 mm 4 mm (cover)
Inner liner material	galvanized steel leakproof
Width	470 mm
Depth	320 mm
Height	900 mm
Weight	39,0 kg
Slot size	260 x 120 mm
Accessories / Options	see FEATURES

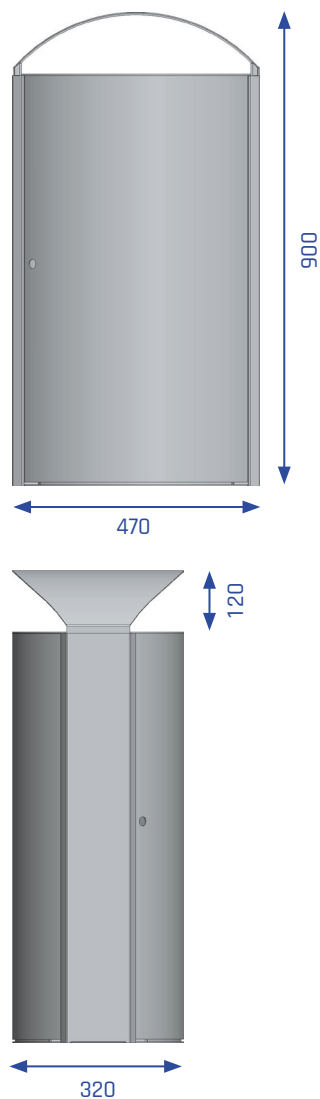
AUWEKO GmbH · Dornhofstraße 34 · 63263 Neu-Isenburg
Telefon: +49 6102 37537-0 · Fax: +49 6102 37537-100 · Email: vertrieb@auweko.de · Website: www.auweko.de

Copyright declaration:

All sketches, drawings and electronic information are the property of AUWEKO GmbH in Neu-Isenburg. The use of these documents, hard copies or information is permitted for internal purposes only. Forwarding to third parties is not authorised. Subject to technical alteration. © AUWEKO GmbH, 63263 Neu-Isenburg

KENDO

Floor-standing bin 65211



Description: Self-supporting, curved, powder-coated galvanized steel outer walls, connected to stable flat side panels. Reinforced door with welded hinges. Two door retention profiles prevent overstretching of the hinges. Doubled cover construction with welded insertion-plates that guide waste into the galvanized inner liner. The inner liner or drip tray is sealed.

Safety: A special type of surface sealing, which is hardened in the oven at 200 degrees Celsius, offers dirt hardly any surface to attack. Graffiti - even with waterproof markers - can be wiped away without the need for harsh cleaning agents. Undesirable stickers can easily be removed.

Handling: Use the square key to operate (1/4 turn) the embedded snap lock and open the door. Pull out the inner liner. The contents are now visible and the waste bag can be replaced as required. The snap lock allows the door to be closed and locked without a key.