



ASHTRAYS

Floor-standing ashtray for outside areas TKDA-11

Volume	3 Liter (Ashtray) 40 Liter (Wastebasket)
Casing material	1.4301 (AISI 304) stainless steel, brushed
Casing material thickness	1,25 mm
Tubular frame material	1.4301 (AISI 304) stainless steel, brushed
Tubular frame material thickness	2,5 mm
Ash collector material	galvanized steel
Bag holder material	stainless steel
Information area	Polyethylene sheet (2 x 1 mm) Hard foam plate (5 mm) DIN A2
Width	551 mm
Depth	325 mm
Height	1957 mm
Weight	approx. 35 kg
Slot size	250 x 140 mm
Accessoirs / Options	see FEATURES

AUWEKO GmbH · Dornhofstraße 34 · 63263 Neu-Isenburg

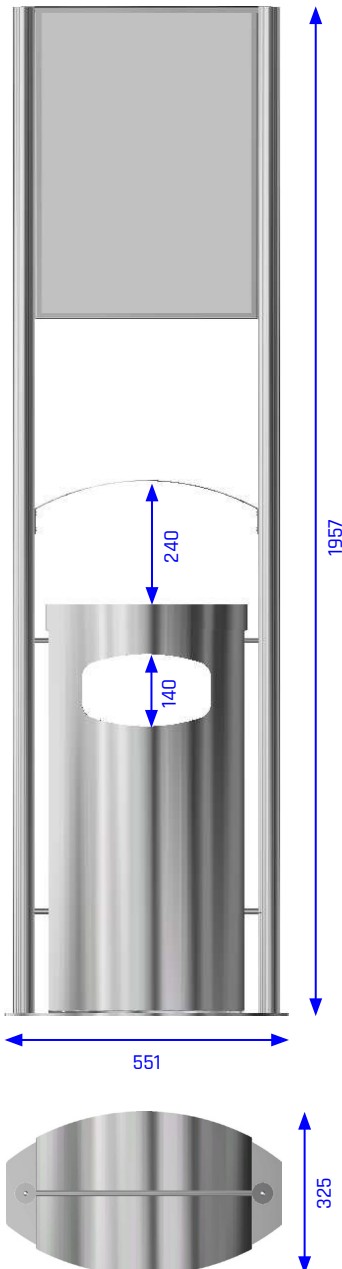
Telefon: +49 6103 804955-0 · Fax: +49 6103 804955-10 · Email: vertrieb@auweko.de · Website: www.auweko.de

Copyright declaration:

All sketches, drawings and electronic information are the property of AUWEKO GmbH in Neu-Isenburg. The use of these documents, hard copies or information is permitted for internal purposes only. Forwarding to third parties is not authorised. Subject to technical alteration. © AUWEKO GmbH, 63263 Neu-Isenburg

ASHTRAYS

Floor-standing ashtray for outside areas TKDA-11



Description: Outdoor floor-standing ashtray combined with litter bin, information area and cover, self-supporting construction. 6 mm thick base plate, tubular framework. Ashtray and waste combination body with curved fronts and flat sides.

Safety: Snap locks protect the ashtray/waste combination against unauthorized access. Perforated top secured by a non-projecting 7 mm square lock (a key is supplied with each ashtray).

Handling: Can be operated from both sides and allows convenient dropping of the waste. Quick and easy removal of the ash-collecting-tray and waste bag through front door with magnetic snaps. Remove the perforated sheet after operating the lock (1/4 turn) to open the front door. The contents are now visible, the ash-collecting-tray and waste bag can be emptied/replaced as required.

Handling of the information area: The interchangeable frame allows easy mounting of posters or signs. Loosen the hexagon socket screws (key is enclosed) and remove the upper part of the frame to change the posters / signs.

AUWEKO GmbH · Dornhofstraße 34 · 63263 Neu-Isenburg

Telefon: +49 6103 804955-0 · Fax: +49 6103 804955-10 · Email: vertrieb@auweko.de · Website: www.auweko.de

Copyright declaration:

All sketches, drawings and electronic information are the property of AUWEKO GmbH in Neu-Isenburg. The use of these documents, hard copies or information is permitted for internal purposes only. Forwarding to third parties is not authorised.

Subject to technical alteration. © AUWEKO GmbH, 63263 Neu-Isenburg