



## ASHTRAYS

### Floor-standing ashtray for outside areas TDA-11-DB

Volume	8 Liter
Casing material	1.4301 (AISI 304) stainless steel, brushed
Casing material thickness	1,25 mm
Tubular frame material	1.4301 (AISI 304) stainless steel, brushed
Tubular frame material thickness	2,5 mm
Ash collector material	galvanized steel
Bag holder material	stainless steel
Width	551 mm
Depth	325 mm
Height	1957 mm
Information area	Polyethylene sheet (2 x 1 mm) Hard foam plate (5 mm) DIN A2
Weight	approx. 27 kg
Accessoires / Options	see FEATURES

AUWEKO GmbH · Dornhofstraße 34 · 63263 Neu-Isenburg

Telefon: +49 6103 804955-0 · Fax: +49 6103 804955-10 · Email: [vertrieb@auweko.de](mailto:vertrieb@auweko.de) · Website: [www.auweko.de](http://www.auweko.de)

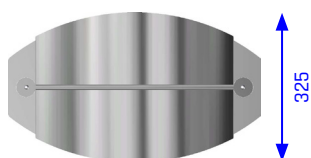
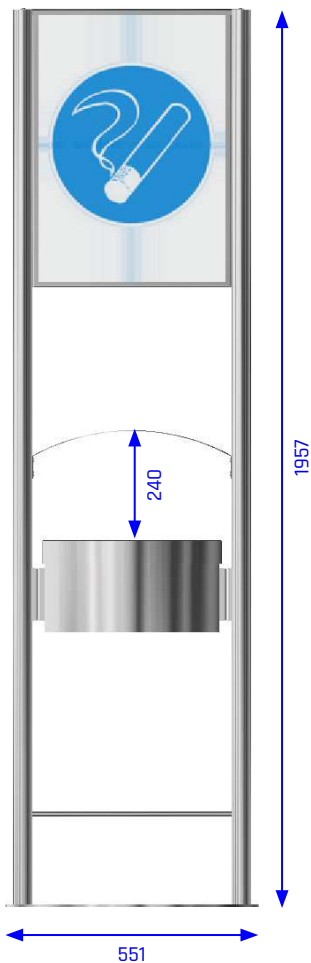
**Copyright declaration:**

All sketches, drawings and electronic information are the property of AUWEKO GmbH in Neu-Isenburg. The use of these documents, hard copies or information is permitted for internal purposes only. Forwarding to third parties is not authorised. Subject to technical alteration. © AUWEKO GmbH, 63263 Neu-Isenburg

## ASHTRAYS

### Floor-standing ashtray for outside areas

#### TDA-11-DB



**Description:** Outdoor floor-standing ashtray combined with information area and cover, self-supporting construction with additional round strut (safety feature for visually impaired and blind persons).

**Safety:** Funnel top secured by a non-projecting 8 mm square lock (a key is supplied with each ashtray).

**Handling:** Quick and easy removal of the ash-collecting-tray from above after operating the lock (1/4 turn).

**Handling of the information area:** The interchangeable frame allows easy mounting of posters or signs. Loosen the hexagon socket screws (key is enclosed) and remove the upper part of the frame to change the posters / signs.