



## ORIGINAL

### Recycling bin RS4

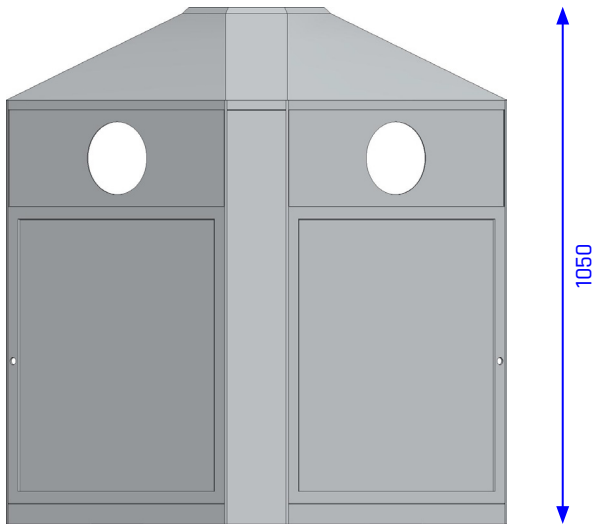
|                           |   |
|---------------------------|---|
| Volume                    | 50 / 50 / 50 / 50 Liter                       |
| Compartments              | 4   |
| Casing material           | 1.4301 (AISI 304)<br>stainless steel, brushed |
| Casing material thickness | 1,5 mm  |
| Inner liner material      | galvanized steel                              |
| Width                     | 1030 mm                                       |
| Depth                     | 780 mm  |
| Height                    | 1050 mm                                       |
| Weight                    | approx. 66,0 kg                               |
| Slot size                 | see FEATURES                                  |
| Accessoires / Options     | see FEATURES                                  |

**Copyright declaration:**

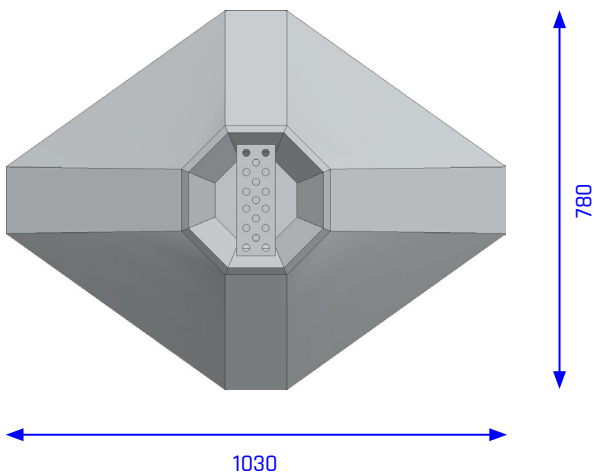
All sketches, drawings and electronic information are the property of AUWEKO GmbH in Neu-Isenburg. The use of these documents, hard copies or information is permitted for internal purposes only. Forwarding to third parties is not authorised. Subject to technical alteration. © AUWEKO GmbH, 63263 Neu-Isenburg

## ORIGINAL

### Recycling bin RS4



1050



780

1030

**Description:** Well visible outer walls made of stainless steel. Front openings, suitable for unprotected/ outdoor areas. An integrated, theft-proof ashtray or flat cover on the top is a standard equipment.

**Safety:** The ashtray/cover is secured by a snap mechanism.

**Handling:** The galvanized inner liners swing out wide when the doors are opened. The waste bags can now easily be changed. The snap lock allows the door to be closed and locked without a key.