

ORIGINAL

Recycling bin RS2

Volume	50 / 50 Liter
Compartments	2
Casing material	1.4301 (AISI 304) stainless steel, brushed
Casing material thickness	1,5 mm 1,5 mm (Backside)
Backside material	galvanized steel
Inner liner material	galvanized steel
Width	1030 mm
Depth	390 mm
Height	1050 mm
Weight	40,0 kg
Slot size	see FEATURES
Accessoires / Options	see FEATURES

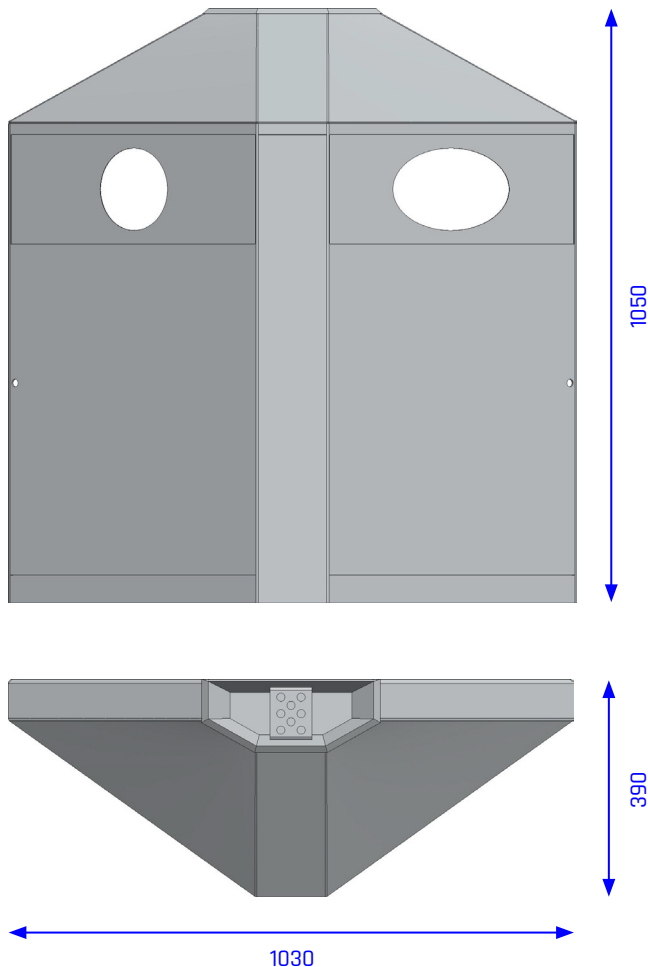
Copyright declaration:

All sketches, drawings and electronic information are the property of AUWEKO GmbH in Neu-Isenburg. The use of these documents, hard copies or information is permitted for internal purposes only. Forwarding to third parties is not authorised. Subject to technical alteration. © AUWEKO GmbH, 63263 Neu-Isenburg

ORIGINAL

Recycling bin

RS2



Description: Well visible outer walls made of stainless steel. Front openings, suitable for unprotected/ outdoor areas. An integrated, theft-proof ashtray or flat cover on the top is a standard equipment.

Safety: The ashtray/cover is secured by a snap mechanism.

Handling: The galvanized inner liners swing out wide when the doors are opened. The waste bags can now easily be changed. The snap lock allows the door to be closed and locked without a key.

Copyright declaration:

All sketches, drawings and electronic information are the property of AUWEKO GmbH in Neu-Isenburg. The use of these documents, hard copies or information is permitted for internal purposes only. Forwarding to third parties is not authorised. Subject to technical alteration. © AUWEKO GmbH, 63263 Neu-Isenburg