



TEMPTATION

Hanging bin

METRO-W1

Volume	50 Liter
Compartments	1
Casing material	1.4301 (AISI 304) stainless steel, brushed
Casing material thickness	1,5 mm
Inner liner material	galvanized steel leakproof
Width	375 mm
Depth	480 mm
Height	800 mm
Weight	30,0 kg
Slot size	140 x 140 mm
Accessoires / Options	see FEATURES

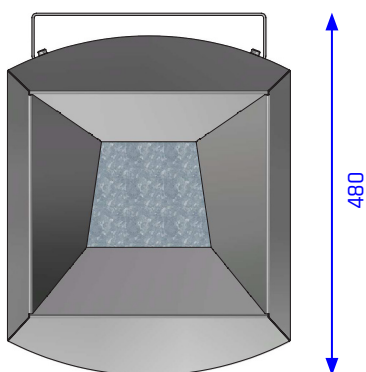
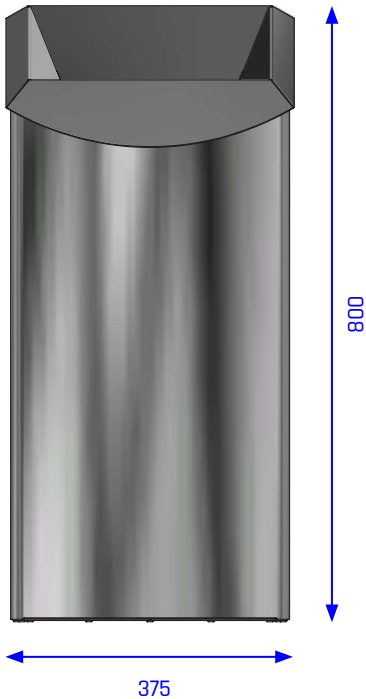
Copyright declaration:

All sketches, drawings and electronic information are the property of AUWEKO GmbH in Neu-Isenburg. The use of these documents, hard copies or information is permitted for internal purposes only. Forwarding to third parties is not authorised. Subject to technical alteration. © AUWEKO GmbH, 63263 Neu-Isenburg

TEMPTATION

Hanging bin

METRO-W1



Description: Self-supporting, curved fronts and flat side panels made of stainless steel, secured with an internal construction of galvanized steel, provide great stability. The top's funnel-shaped opening guides waste into the inner liner and is also an elementary part of the fire protection (patented and certified). The slanted top prevents the use as a storage area.

Safety: The galvanized inner liner is sealed by a patented system. In the event of a fire, the rising smoke gases collect below the funnel-shaped opening. The resulting gas cushion interrupts the oxygen supply and a self-extinguishing effect occurs. In addition, the construction (inner liner / outer body) minimizes the increase in temperature at, above and below the casing in the event of fire. A snap lock protects the receptacle against unauthorized access.

Handling: Quick and easy removal of the waste bag from above. The top is opened after operating the lock (1/4 turn) and can be swung backwards manually. The contents are now visible and the waste bag can be replaced.